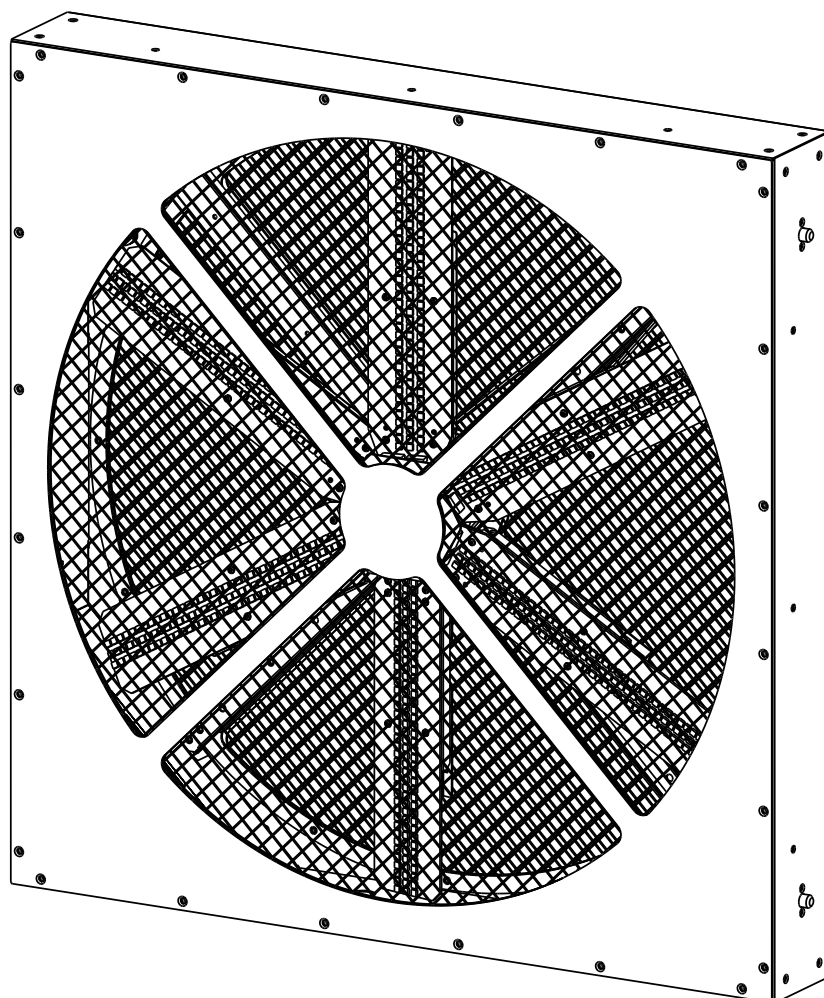


# ***BT-LEDROTOR***



## **ENGLISH**

### **Operation Manual**

Other languages can be downloaded from:  
[WWW.BRITEQ-LIGHTING.COM](http://WWW.BRITEQ-LIGHTING.COM)



*Version: 1.0*





### **EN - DISPOSAL OF THE DEVICE**

Dispose of the unit and used batteries in an environment friendly manner according to your country regulations.

### **FR - DÉCLASSER L'APPAREIL**

Débarrassez-vous de l'appareil et des piles usagées de manière écologique Conformément aux dispositions légales de votre pays.

### **NL - VERWIJDEREN VAN HET APPARAAT**

Verwijder het toestel en de gebruikte batterijen op een milieuvriendelijke manier conform de in uw land geldende voorschriften.

### **DU - ENTSORGUNG DES GERÄTS**

Entsorgen Sie das Gerät und die Batterien auf umweltfreundliche Art und Weise gemäß den Vorschriften Ihres Landes.

### **ES - DESHACERSE DEL APARATO**

Reciclar el aparato y pilas usadas de forma ecologica conforme a las disposiciones legales de su país.

### **PT - COMO DESFAZER-SE DA UNIDADE**

Tente reciclar a unidade e as pilhas usadas respeitando o ambiente e em conformidade com as normas vigentes no seu país.

# OPERATION MANUAL

Thank you for buying this Briteq® product. To take full advantage of all possibilities and for your own safety, please read these operating instructions very carefully before you start using this unit.

## FEATURES

- High power 70x70cm LED-EFFECT FAN
- Use in all kinds of show applications: TV-studios (flicker free), Rental, Discos, ...
- The 6 fan blades are equipped with in total 720 RGB-leds
- Each fan blade is split-up in 5 individual RGB-sections (total: 30 pixels)
- The output of each fan blade can be controlled individually!
- Amazing built-in pixels patterns + free pixel programming.
- 32pcs 3W UV-leds light up the white colored blades in the dark!
- There are 3 DMX-modes:
  - 5 channels: The “easy” mode to recall a lot of built-in effects, without any programming
  - 12 channels: Intermediate mode with more flexibility but still easy to use.
  - 33 channels: Full control of all functions, including pixel control!
- Prepared for wireless DMX: just plug-in an optional WTR-DMX DONGLE ! (Briteq® code: 4645)
- Very slow to very fast bidirectional fan rotations
- RDM-function for: channel mode, DMX-address, temperature control, ...
- OLED display with backlit touch buttons for easy configuration.
- Easy truss installation, thanks to 2 included omega brackets
- Easy floor installation, thanks to 2 included floor stands
- Smart placement of the in/out connectors to assure, almost invisible, cable routing.
- Easy daisy chaining: 3pin & 5pin + Neutrik® PowerCON® in/out
- 100V~240V 50/60Hz Power supply.
- A special 80x60cm flight case for transport of 4 units + cables and accessories is optionally available.

## BEFORE USE

- Before you start using this unit, please check if there's no transportation damage. Should there be any, do not use the device and consult your dealer first.
- **Important:** This device left our factory in perfect condition and well packaged. It is absolutely necessary for the user to strictly follow the safety instructions and warnings in this user manual. Any damage caused by mishandling is not subject to warranty. The dealer will not accept responsibility for any resulting defects or problems caused by disregarding this user manual.
- Keep this booklet in a safe place for future consultation. If you sell the fixture, be sure to add this user manual.

### Check the contents:

Check that the carton contains the following items:

- Operating instructions
- BT-LEDROTOR
- 2 Omega brackets “small”
- Neutrik® PowerCON® power cable
- 2 Floor stands with quick locks

## SAFETY INSTRUCTIONS:



**CAUTION**  
RISK OF ELECTRIC SHOCK  
DO NOT OPEN



**CAUTION:** To reduce the risk of electric shock, do not remove the top cover. No user-serviceable parts inside. Refer servicing to qualified service personnel only.



The lightning flash with arrowhead symbol within the equilateral triangle is intended to alert the user to the presence of un-insulated "dangerous voltage" within the product's enclosure that may be of sufficient magnitude to constitute a risk of electric shock.



The exclamation point within the equilateral triangle is intended to alert the user to the presence of important operation and maintenance (servicing) instructions in the literature accompanying this appliance.



This symbol means: indoor use only



This symbol means: Read instructions



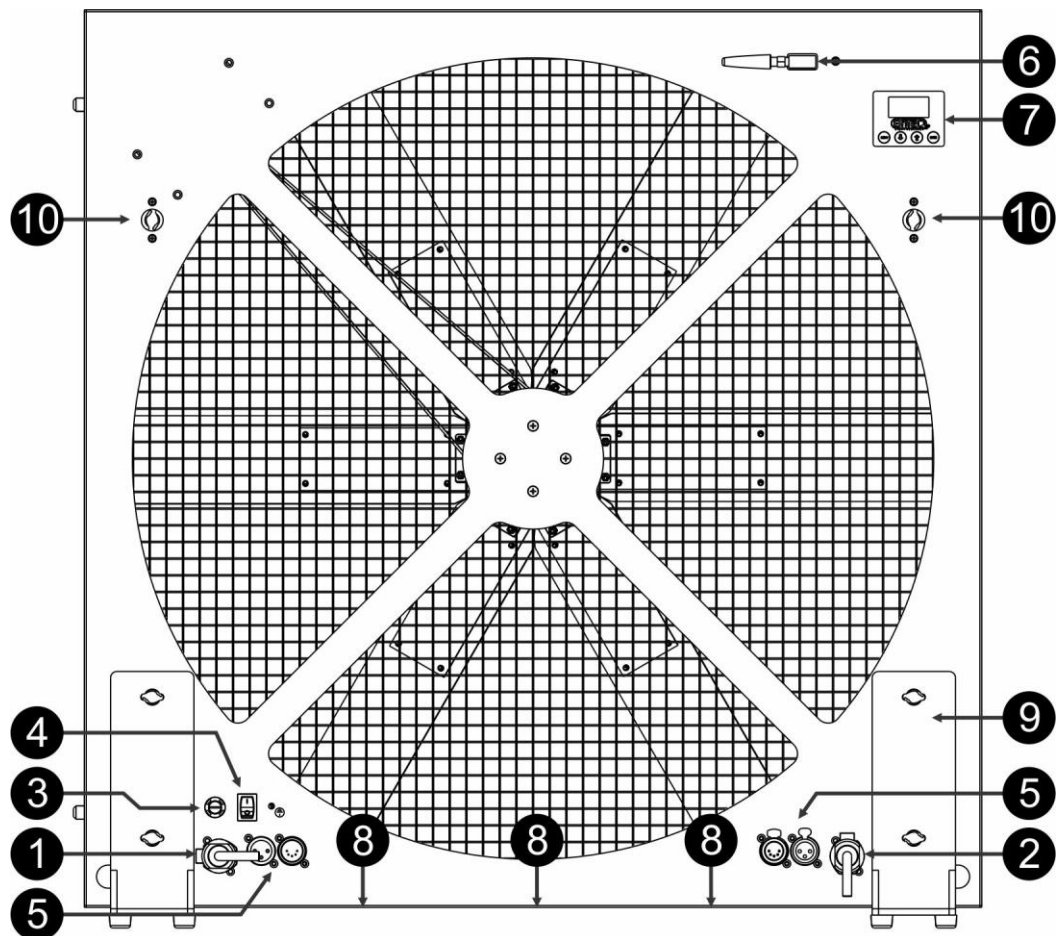
This symbol determines: the minimum distance from lighted objects. The minimum distance between light-output and the illuminated surface must be more than x meters

**RISK GROUP 2**  
**CAUTION:**  
Do not stare at operating lamp

**CAUTION:** Do not stare at operating lamp.  
May be harmful to the eyes.

- To protect the environment, please try to recycle the packing material as much as possible.
- To prevent fire or shock hazard, do not expose this appliance to rain or moisture.
- To avoid condensation to be formed inside, allow the unit to adapt to the surrounding temperatures when bringing it into a warm room after transport. Condensation sometimes prevents the unit from working at full performance or may even cause damages.
- This unit is for indoor use only.
- Don't place metal objects or spill liquid inside the unit. Electric shock or malfunction may result. If a foreign object enters the unit, immediately disconnect the mains power.
- Locate the fixture in a well ventilated spot, away from any flammable materials and/or liquids. The fixture must be fixed at least 50cm from surrounding walls.
- Don't cover any ventilation openings as this may result in overheating.
- Prevent use in dusty environments and clean the unit regularly.
- Keep the unit away from children.
- Inexperienced persons should not operate this device.
- Maximum safe ambient temperature is 40°C. Don't use this unit at higher ambient temperatures.
- Make sure the area below the installation place is free from unwanted persons during rigging, de-rigging and servicing.
- Allow the device about 10 minutes to cool down before to start servicing.
- Always unplug the unit when it is not used for a longer time or before to start servicing.
- The electrical installation should be carried out by qualified personal only, according to the regulations for electrical and mechanical safety in your country.
- Check that the available voltage is not higher than the one stated on the unit.
- The power cord should always be in perfect condition. Switch the unit immediately off when the power cord is squashed or damaged. It must be replaced by the manufacturer, its service agent or similarly qualified persons in order to avoid a hazard.
- Never let the power-cord come into contact with other cables!
- This fixture must be earthed in order to comply with safety regulations.
- Don't connect the unit to any dimmer pack.
- Always use an appropriate and certified safety cable when installing the unit.
- In order to prevent electric shock, do not open the cover. There are no user serviceable parts inside.
- **Never** repair a fuse or bypass the fuse holder. **Always** replace a damaged fuse with a fuse of the same type and electrical specifications!
- In the event of serious operating problems, stop using the fixture and contact your dealer immediately.
- The housing and the lenses must be replaced if they are visibly damaged.
- Please use the original packing when the device is to be transported.
- Due to safety reasons it is prohibited to make unauthorized modifications to the unit.

**Important:** Never look directly into the light source! Don't use the effect in the presence of persons suffering from epilepsy.

**DESCRIPTION:**

1. **MAINS INPUT:** equipped with original [Neutrik PowerCON®]. Connect the supplied mains cable or any [PowerCON®] extension cable here.
2. **MAINS OUTPUT:** used to daisy chain the power to several other projectors. Always pay attention to the maximum load while adding projectors! Special Multi cables ([PowerCON®] + DMX XLR-cables are optionally available: see our website!)
3. **MAINS FUSE:** protects the unit in case of electrical problems, always replace with a fuse with identical specs!
4. **MAINS SWITCH:** used to switch the projector on/off, make sure the switch in [ON]-position before installing in the truss!
5. **DMX IN/OUT:** both 3pin and 5pin in/outputs are available to daisy chain the projector with other units that will be controlled by a DMX-controller.
6. **M-DMX INPUT:** Please note that this USB-connector is NOT used for updates or to connect the unit to a PC! Instead this USB-connector makes it very easy to add wireless DMX to the unit! Just add the (optional) [WTR-DMX DONGLE] from BRITEQ® and you will get wireless DMX! Moreover you will be able to connect other DMX-controlled equipment to the DMX-output so you can share the wireless DMX function with all connected units! No extra settings to be made in the setup menu, just follow the procedure in the user manual supplied with the [WTR-DMX DONGLE] from BRITEQ®. The separate [WTR-DMX DONGLE] is available from [WWW.BRITEQ-LIGHTING.COM](http://WWW.BRITEQ-LIGHTING.COM) (order code: 4645)
7. **DISPLAY & BUTTONS:** alphanumeric OLED-display and backlit touch keys to select different options of the setup menu:
  - **[MENU]-button:** used to enter/exit the setup menu.
  - **▼-button:** used to go to the next menu option or to decrease a parameter value.
  - **▲-button:** used to go to the previous menu option or to increase a parameter value.
  - **[ENTER]-button:** used to select a menu option or confirm a setting.

*Remark: to rotate the display over 180°, press the ▲-button while the standard display is shown.*
8. **[OMEGA] BRACKETS:** installation points for the fitting of omega brackets. For maximum flexibility the omega brackets (2pcs included) can be installed at different locations. Also used to fix several projectors

in a line without any gaps.

- 9. **FLOOR STAND:** the 2 included floor stands can be easily installed/removed using 4 quarter-turn quick locks.
- 10. **EXTRA FIXING POINTS:** used to fix several unit together in a straight line. Optional extra omega brackets can be purchased (order code: 2677)

## SETUP MENU:

The setup menu of this projector has been deliberately kept very simple to allow quick installation with less risk of incorrect settings. In addition, a number of important settings are made via a DMX control channel.

- Press the [MENU] button to enter the setup menu.
- Use the ▼/▲ buttons to browse the menu until the required function shows up.
- Select the function with the [ENTER] button.
- Use ▼/▲ buttons to change the values.
- Press the [ENTER] button to confirm the selected value.

### [DMX ADDR]

Used to set the desired DMX-address.

- Use the ▼/▲ buttons to browse the menu until the required function shows up.
- Use ▼/▲ buttons to select the desired DMX512 address. The last occupied DMX-address is also shown: makes it easier to set the address of the next unit in the chain.
- Once the correct address shows on the display, press the [ENTER] button to save it.

*Remark: on RDM-compatible controllers this option can also be remotely set.*

### [CH. MODE]

Used to set the desired channel mode.

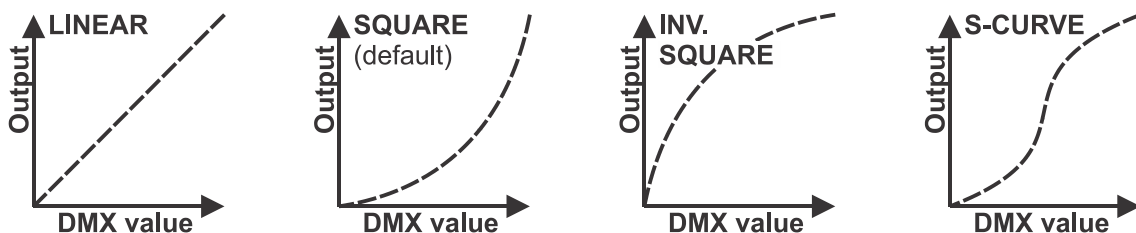
- Use the ▼/▲ buttons to browse the menu until the required function shows up.
- Select the function with the [ENTER] button.
- Use ▼/▲ buttons to select the desired mode:
  - [5 CH]: The “easy” mode to recall a lot of built-in effects, without any programming
  - [12 CH]: Intermediate mode with more flexibility but still easy to use.
  - [33 CH]: Full control of all functions, including pixel control! Once the correct option shows on the display, press the [ENTER] button to save it.

*Remark: on RDM-compatible controllers this option can also be remotely set.*

### [DIMMER CURVE]

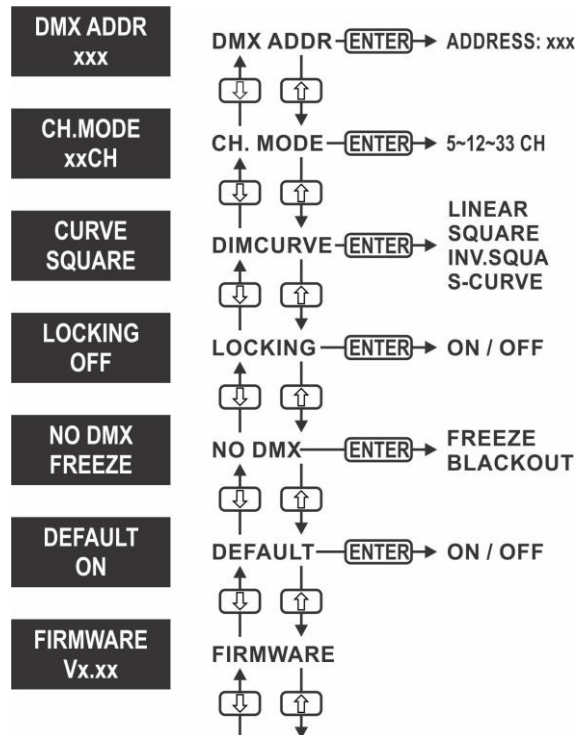
Used to set the dimmer curve of the individual pixels.

- Use the ▼/▲ buttons to browse the menu until the required function shows up.
- Select the function with the [ENTER] button.
- Use ▼/▲ buttons to select the desired curve:



- Once you selected the desired curve, press the [ENTER] button to save it.

*Remark: this option can be overruled using the DMX-control channel.*



**[LOCKING] MODE**

Used to lock the setup menu against unwanted altering of the settings.

- Use the ▼/▲ buttons to browse the menu until the required function shows up.
- Select the function with the [ENTER] button.
- Use ▼/▲ buttons to select the desired mode:
  - [OFF] The setup menu can be used at any time.
  - [ON] After a short time the setup menu locks automatically, the display shows [LOCKED \*\*\*\*\*].  
Unlock the display by pressing the buttons in this order: ▲, ▼, ▲, ▼, [ENTER].
- Once the correct option shows on the display, press the [ENTER] button to save it.

**[NO DMX] BEHAVIOR**

Used to set how the projector reacts when the DMX-signal suddenly disappears.

- Use the ▼/▲ buttons to browse the menu until the required function shows up.
  - Select the function with the [ENTER] button.
  - Use ▼/▲ buttons to select the desired mode:
    - BLACKOUT output turns black while no DMX is detected.
    - FREEZE: output based on the last valid DMX-signal is kept on the projector.
  - Once the correct option shows on the display, press the [ENTER] button to save it.
- Note:** as soon as the input detects a DMX-signal, blackout or freeze mode will be cancelled.

**[DEFAULT] SETTINGS**

This is your emergency exit if you really messed up the settings: just return to factory settings.

- Use the ▼/▲ buttons to browse the menu until the required function shows up.
- Select the function with the [ENTER] button.
- Use ▼/▲ buttons to select the desired mode:
  - [OFF] no default settings are loaded.
  - [ON] default factory settings are loaded.
    - [DMX ADDR] → 001
    - [CH MODE] → [33CH]
    - [CURVE] → SQUARE]
    - [LOCKING] → [OFF]
    - [NO DMX] → [FREEZE]

**FIRMWARE VERSION**

Used to show the current version of the firmware.

- Use the ▼/▲ buttons to browse the menu until the required function shows up.
- Select the function with the [ENTER] button: the current firmware version is shown.

**Note:** The firmware of this unit can be upgraded using our special "Firmware Updater 2" (separately available from Briteq). More information about this can be found in the user manual of the firmware updater or our website: <https://briteq-lighting.com/firmware-updater-2>

## OVERHEAD RIGGING

- **Important:** The installation must be carried out by qualified service personal only. Improper installation can result in serious injuries and/or damage to property. Overhead rigging requires extensive experience! Working load limits should be respected, certified installation materials should be used, the installed device should be inspected regularly for safety.
- Make sure the area below the installation place is free from unwanted persons during rigging, de-rigging and servicing.
- Locate the fixture in a well ventilated spot, far away from any flammable materials and/or liquids. The fixture must be fixed **at least 50cm** from surrounding walls.
- The device should be installed out of reach of people and outside areas where persons may walk by or be seated.
- Before rigging make sure that the installation area can hold a minimum point load of 10times the device's weight.
- Always use a certified safety cable that can hold 12times the weight of the device when installing the unit. This secondary safety attachment should be installed in a way that no part of the installation can drop more than 20cm if the main attachment fails.
- The device should be well fixed; a free-swinging mounting is dangerous and may not be considered!
- Don't cover any ventilation openings as this may result in overheating.
- The operator has to make sure that the safety-relating and machine-technical installations are approved by an expert before using them for the first time. The installations should be inspected every year by a skilled person to be sure that safety is still optimal.

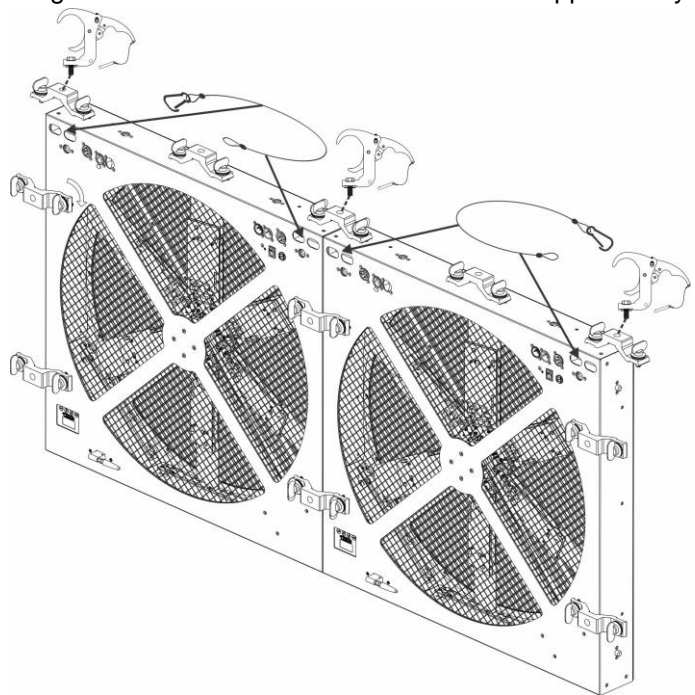
### Install the units in truss

The omega bracket fixing points are located on the bottom of the unit. This means that you have to turn the unit over 180° (upside-down) to fix it in the truss. At the same time the connectors will also be on the upper side, close to the truss.

Extra omega brackets can be used to install several units tightly next to each other.

### **Remark:**

*The display will be upside-down: to rotate the display over 180°, press the ▲-button while the standard display is shown.*

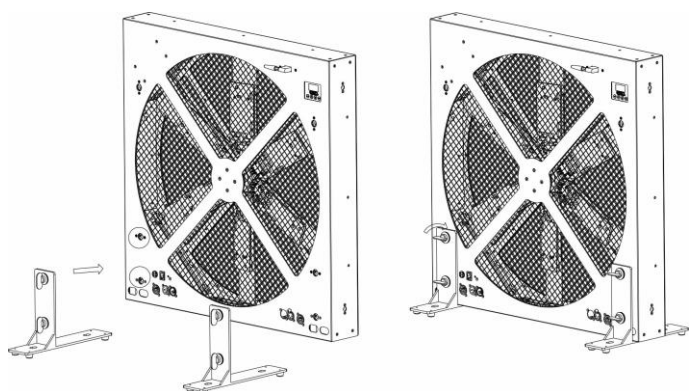


### Install the units on the floor / stage

Use the 2 supplied floor stands and fix them on the bottom of the enclosure: insert the quick locks and turn them to the right. The connectors will be on the bottom, so easy to connect.

### **IMPORTANT SAFETY MESSAGE**

**NEVER install 2 or more units on top of each other while using the standard floor stands. In such case you should use extra rigging equipment to build a safe structure for the installation!**





## ELECTRICAL INSTALLATION

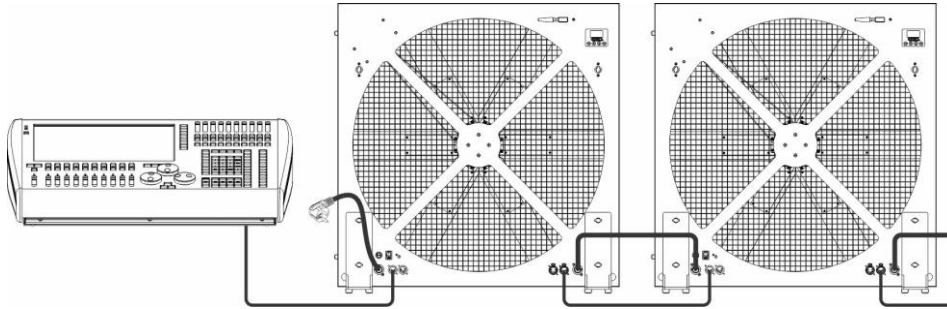


**Important:** The electrical installation should be carried out by qualified personal only, according to the regulations for electrical and mechanical safety in your country.

### ELECTRICAL INSTALLATION FOR TWO OR MORE UNITS IN DMX-MODE:

Use this function when you want to control the projectors by any DMX controller.

- Connect the projectors as shown in the drawing below.

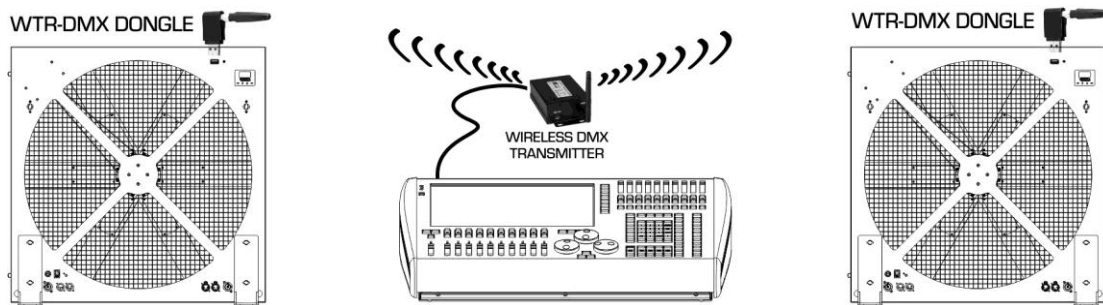


- First put the projectors in the desired DMX-mode: see the different DMX-charts and choose the one that suits you best.
- Give all projectors a start address: each projector shows its start + end address, make sure that the addresses do not overlap!

### ELECTRICAL INSTALLATION FOR TWO OR MORE UNITS USING WIRELESS DMX-DONGLES:

Use this function when you want to control the projectors wireless using any DMX controller.

- Connect the projectors as shown in the drawing below.



- Insert the (optional) [WTR-DMX DONGLE] in the different projectors (see n° 6) and check the user manual of the dongles to see how to pair the dongles with the W-DMX transmitter that is connected to the DMX-console. Now put the projectors in the desired DMX-mode: see the different DMX-charts and choose the one that suits you best.
- Give all projectors a start address: each projector shows its start + end address, make sure that the addresses do not overlap!

### **Some general information on DMX:**

- The DMX-protocol is a widely used high speed signal to control intelligent light equipment. You need to "daisy chain" your DMX controller and all the connected units with a good quality balanced DMX-cable. Both XLR-3pin and XLR-5pin connectors are used, however XLR-3pin is more popular.
- Pin layout XLR-3pin: Pin1 = GND ~ Pin2 = Negative signal (-) ~ Pin3 = Positive signal (+)
- Pin layout XLR-5pin: Pin1 = GND ~ Pin2 = Negative signal (-) ~ Pin3 = Positive signal (+) ~ Pins4+5 not used.
- To prevent strange behavior of the light effects, due to interferences, you must use a 90Ω to 120Ω terminator at the end of the chain. Never use Y-splitter cables, this simply won't work!
- Make sure that all units are connected to the mains.
- Each unit in the chain has its proper starting address so it knows which commands from the controller it has to decode.

## RDM FUNCTIONS / REMOTE SETUP

RDM means “Remote Device Management”. This projector works with a brief set of RDM-functions which means that it can setup a bi-directional communication with an RDM-compatible DMX-controller. Some of these functions are briefly explained below, others will be added in the future.

- The DMX-controller sends out a “discovery command”, all RDM devices respond and send their unique device ID.
- The DMX-controller asks each RDM device for some basic data so it knows which devices are connected.

The projector will respond:

- **Device name:** BT-LEDROTOR
- **Manufacturer:** Briteq®
- **Category:** fixture fixed
- **Firmware:** x.x.x.x (firmware version of the projector)
- **DMX address:** xxx (current DMX start address of the projector)
- **DMX footprint:** xx (number of DMX-channels used by the projector)
- **Personality:** xx (current personality [or DMX-working mode] used by the projectors)
- The DMX-controller can send certain commands to each RDM device which allow remote setup of the units. Thanks to this the projector can be setup remotely.

**The following functions can be managed remotely:**

No more need to take a ladder and set all units one by one!

- **DMX START ADDRESS:** The start address can be set remotely from 001 to xxx.
- **PERSONALITY:** The DMX working mode (DMX-chart) can be set remotely.

These 2 functions make it possible to prepare a complete DMX-patch of all projectors on the DMX-controller and send these data to all projectors at once. More functions will be added later.

# OPERATING INSTRUCTIONS

**Note:** when the projector is switched on the display shows “UPDATE WAIT ...” This message informs you that IF you want to upgrade the firmware, you should do it while this message is shown on the display. For normal use you can ignore this message completely.

- Connect all units together. Refer to the chapter “Electrical installation for two or more units in DMX-mode” to learn how to do this (don’t forget to address all units properly!)
- Connect all units to the mains and turn on the DMX controller.
- Since each unit has its own DMX-address, you can control them individually. Remember that each unit can use a different number DMX-channels, depending on the DMX-mode you have selected in the menu.

## 5CH “EASY” DMX-MODE

CH1	CH2		CH3	CH4		CH5	
MASTER DIMMER	VALUE	SEGMENT EFFECTS	SEGMENT EFFECT CONTROL	VALUE	BLADE: ON/OFF control	VALUE	FAN ROTATION
Master DIMMER  0% ↕ 100%	000-011	<b>UV-LIGHT</b>	000-007	000 - 007	Blades A+B+C+D+E+F switched ON	000 - 127	<b>Indexed FAN-positioning: 0° - 360°</b> <b>FAN turning CW (fast to slow)</b> <b>No rotation</b> <b>FAN turning CCW (slow to fast)</b>
	012-022	<b>R (RED)</b>	NO	008 - 015	Blade A switched ON	128 - 189	
	023-033	<b>G (GREEN)</b>	strobe	016 - 023	Blade B switched ON	190 - 193	
	034-044	<b>B (BLUE)</b>		024 - 031	Blade C switched ON	194 - 255	
	045-055	<b>RG</b>	008-255	032 - 047	Blade D switched ON		
	056-066	<b>GB</b>	STROBE	048 - 055	Blade E switched ON		
	067-077	<b>RB</b>	slow ↔	056 - 063	Blade F switched ON		
	078-088	<b>RGB</b>	fast	064 - 071	Blades A+B switched ON		
	089-099	<b>CFADE</b>		072 - 079	Blades A+C switched ON		
	100-110	<b>Meteor</b>		080 - 087	Blades A+D switched ON		
	111-121	<b>Fade</b>		088 - 095	Blades A+C+E switched ON		
	122-132	<b>CHANGE</b>		096 - 249	<b>RANDOM</b> Blades switched ON/OFF		
	133-143	<b>Flow1</b>		250 - 255	Blades A+B+C+D+E+F switched ON		
	144-154	<b>Flow2</b>					
	155-165	<b>Flow3</b>					
	166-176	<b>Flow4</b>					
	177-187	<b>Flow5</b>					
	188-198	<b>Flow6</b>					
	199-209	<b>Flow7</b>					
	210-220	<b>Flow8</b>					
221-231	<b>Flow9</b>						
232-255	<b>RANDOM Flow 1-9</b>						

## 12CH + 33CH DMX-MODES

5CH	12CH	33CH	DMX VALUE	FUNCTION
<b>SEE SEPARATE 5CH DMX-CHART</b>	<b>1</b>	<b>1</b>		<b>BLADES - RGB MASTER DIM</b>
			000 - 255	0% → 100%
	<b>2</b>	<b>2</b>		<b>BLADES - RGB MASTER STROBE</b>
			000 - 007	NO STROBE
			008 - 255	STROBE slow to fast
	<b>3</b>			<b>RED - SEGMENTS 1+2+3+4+5</b>
			000 - 255	0% → 100%
				<b>GREEN - SEGMENTS 1+2+3+4+5</b>
	<b>4</b>		000 - 255	0% → 100%
				<b>BLUE - SEGMENTS 1+2+3+4+5</b>
	<b>5</b>		000 - 255	0% → 100%
				<b>RGB SEGMENT EFFECTS</b>
	<b>6</b>		000 - 007	NO FUNCTION
			008 - 024	CFADE
025 - 042			Meteor	
043 - 060			Fade	

7	061 - 078	CHANGE
	079 - 093	Flow1
	094 - 110	Flow2
	111 - 127	Flow3
	128 - 144	Flow4
	145 - 161	Flow5
	162 - 178	Flow6
	179 - 195	Flow7
	196 - 212	Flow8
	213 - 229	Flow9
	230 - 255	RANDOM Flow 1-9
		<b>RGB SEGMENT EFFECTS SPEED</b>
	000 - 007	STOP
	008 - 255	slow to fast
	<b>3</b>	<b>SEGMENT 1 - RED</b>
	000 - 255	0% → 100%
	<b>4</b>	<b>SEGMENT 1 - GREEN</b>
	000 - 255	0% → 100%
	<b>5</b>	<b>SEGMENT 1 - BLUE</b>
	000 - 255	0% → 100%
	<b>6</b>	<b>SEGMENT 2 - RED</b>
000 - 255	0% → 100%	
<b>7</b>	<b>SEGMENT 2 - GREEN</b>	
000 - 255	0% → 100%	
<b>8</b>	<b>SEGMENT 2 - BLUE</b>	
000 - 255	0% → 100%	
<b>9</b>	<b>SEGMENT 3 - RED</b>	
000 - 255	0% → 100%	
<b>10</b>	<b>SEGMENT 3 - GREEN</b>	
000 - 255	0% → 100%	
<b>11</b>	<b>SEGMENT 3 - BLUE</b>	
000 - 255	0% → 100%	
<b>12</b>	<b>SEGMENT 4 - RED</b>	
000 - 255	0% → 100%	
<b>13</b>	<b>SEGMENT 4 - GREEN</b>	
000 - 255	0% → 100%	
<b>14</b>	<b>SEGMENT 4 - BLUE</b>	
000 - 255	0% → 100%	
<b>15</b>	<b>SEGMENT 5 - RED</b>	
000 - 255	0% → 100%	
<b>16</b>	<b>SEGMENT 5 - GREEN</b>	
000 - 255	0% → 100%	
<b>17</b>	<b>SEGMENT 5 - BLUE</b>	
000 - 255	0% → 100%	
<b>18</b>	<b>BLADE A - MASTER DIM</b>	
000 - 255	0% → 100%	
<b>19</b>	<b>BLADE A - STROBE SPEED</b>	
000 - 007	NO STROBE	
008 - 255	STROBE slow to fast	
<b>20</b>	<b>BLADE B - MASTER DIM</b>	
000 - 255	0% → 100%	
<b>21</b>	<b>BLADE B - STROBE SPEED</b>	
000 - 007	NO STROBE	
008 - 255	STROBE slow to fast	

		<b>22</b>		<b>BLADE C - MASTER DIM</b>
			000 - 255	0% → 100%
		<b>23</b>		<b>BLADE C - STROBE SPEED</b>
			000 - 007	NO STROBE
			008 - 255	STROBE slow to fast
		<b>24</b>		<b>BLADE D - MASTER DIM</b>
			000 - 255	0% → 100%
		<b>25</b>		<b>BLADE D - STROBE SPEED</b>
			000 - 007	NO STROBE
			008 - 255	STROBE slow to fast
		<b>26</b>		<b>BLADE E - MASTER DIM</b>
			000 - 255	0% → 100%
	<b>27</b>		<b>BLADE E - STROBE SPEED</b>	
		000 - 007	NO STROBE	
		008 - 255	STROBE slow to fast	
	<b>28</b>		<b>BLADE F - MASTER DIM</b>	
		000 - 255	0% → 100%	
	<b>29</b>		<b>BLADE F - STROBE SPEED</b>	
		000 - 007	NO STROBE	
		008 - 255	STROBE slow to fast	
	<b>8</b>			<b>BLADE: ON/OFF control</b>
			000 - 007	Blades A+B+C+D+E+F switched ON
			008 - 015	Blade A switched ON
			016 - 023	Blade B switched ON
			024 - 031	Blade C switched ON
			032 - 047	Blade D switched ON
			048 - 055	Blade E switched ON
			056 - 063	Blade F switched ON
			064 - 071	Blades A+B switched ON
			072 - 079	Blades A+C switched ON
			080 - 087	Blades A+D switched ON
			088 - 095	Blades A+C+E switched ON
			096 - 249	<b>RANDOM</b> Blades switched ON/OFF: slow (10s) → fast (0,1s)
		250 - 255	Blades A+B+C+D+E+F switched ON	
	<b>9</b>	<b>30</b>		<b>UV-LIGHT: MASTER DIM</b>
			000 - 255	0% → 100%
	<b>10</b>	<b>31</b>		<b>UV-LIGHT: STROBE</b>
			000 - 007	NO STROBE
		008 - 255	STROBE slow to fast	
	<b>11</b>	<b>32</b>		<b>FAN ROTATION SPEED</b>
			000 - 127	* Indexed FAN-positioning: 0° - 360°
			128 - 189	* FAN turning CW (fast to slow)
190 - 193			* No rotation	
	194 - 255	* FAN turning CCW (slow to fast)		
<b>12</b>	<b>33</b>		<b>CONTROL CHANNEL</b>	
		000 - 007	No function	
		008 - 013	LINEAR dimmer curve	
		014 - 019	SQUARE dimmer curve	
		020 - 025	INV SQUARE dimmer curve	
		026 - 031	S-CURVE dimmer curve	
	031 - 255	No function ( <i>reserved for eventual future functions</i> )		

## MAINTENANCE

- Make sure the area below the installation place is free from unwanted persons during servicing.
- Switch off the unit, unplug the mains cable and wait until the unit has been cooled down.

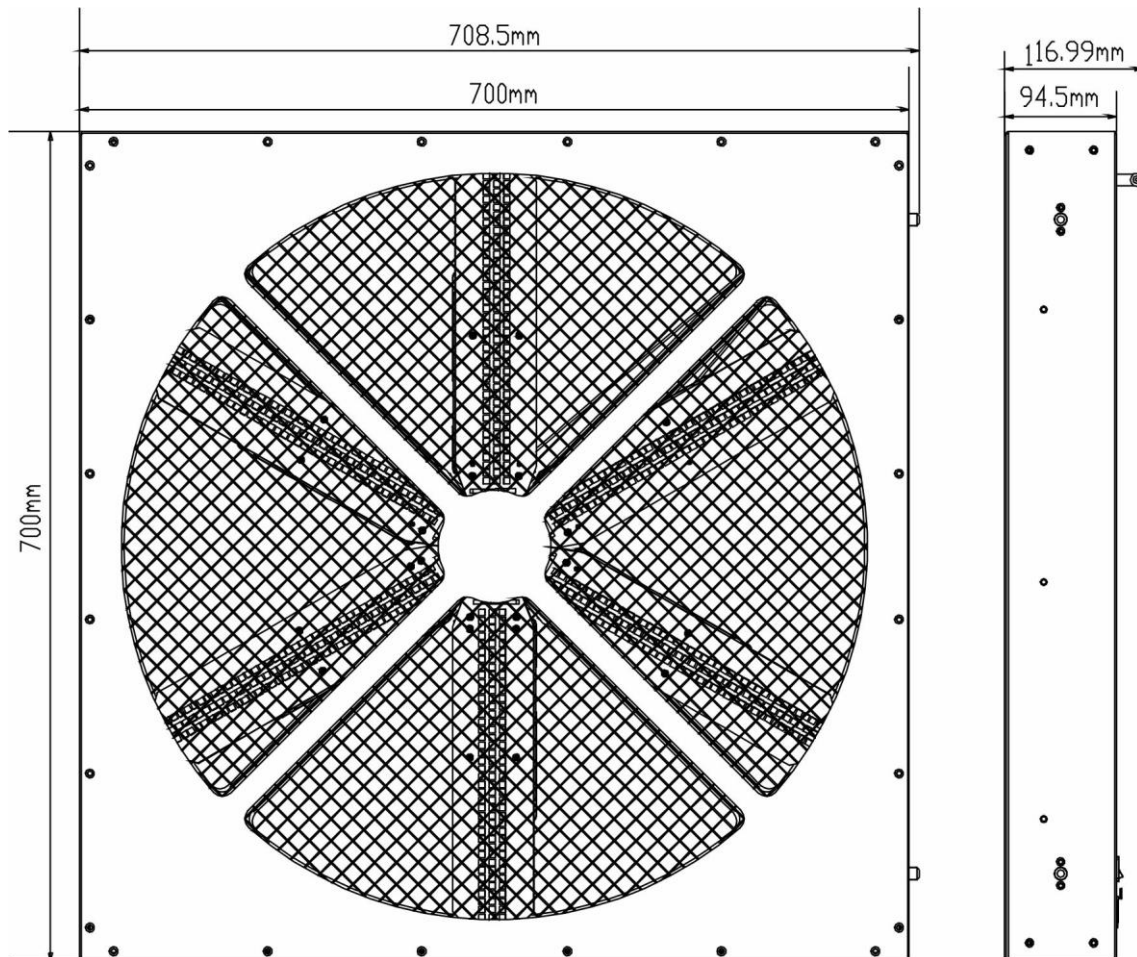
**During inspection the following points should be checked:**

- All screws used for installing the device and any of its parts should be tightly fastened and may not be corroded.
- Housings, fixations and installations spots (ceiling, truss, suspensions) should be totally free from any deformation.
- When an optical lens is visibly damaged due to cracks or deep scratches, it must be replaced.
- The mains cables must be in impeccable condition and should be replaced immediately when even a small problem is detected.
- In order to protect the device from overheat the cooling fans (if any) and ventilation openings should be cleaned monthly.
- The interior of the device should be cleaned annually using a vacuum cleaner or air-jet.
- The cleaning of internal and external optical lenses and/or mirrors must be carried out periodically to optimize light output. Cleaning frequency depends on the environment in which the fixture operates: damp, smoky or particularly dirty surroundings can cause greater accumulation of dirt on the unit's optics.
  - Clean with a soft cloth using normal glass cleaning products.
  - Always dry the parts carefully.

**Attention: We strongly recommend internal cleaning to be carried out by qualified personnel!**

# SPECIFICATIONS

<b>Mains Input:</b>	AC 100V – 240V, 50/60Hz
<b>Power connections:</b>	Neutrik® PowerCON
<b>Power consumption (full power):</b>	240 Watt
<b>Daisy chaining:</b>	9pcs (@ 240Vac)
<b>Power factor:</b>	>0.95
<b>Protection class:</b>	1
<b>IP-rating:</b>	IP20
<b>Fuse:</b>	250V 3A thermal fuse (5 x 20mm)
<b>DMX connections:</b>	3pin + 5pin XLR male / female
<b>DMX channels used:</b>	5 + 12 + 33 channels
<b>UV LEDs:</b>	32pcs 3W (UV, 405nm)
<b>RGB LEDs :</b>	720pcs 0.2W RGB-leds
<b>LED refresh rate:</b>	0.6 kHz
<b>Ambient temperature:</b>	40°C
<b>Size (L x H x D):</b>	see drawing
<b>Weight:</b>	18kg (20.3kg incl. 2x floor stand)



The information might be modified without prior notice  
 You can download the latest version of this user manual on our website: [www.briteq-lighting.com](http://www.briteq-lighting.com)



## MAILING LIST

**EN: Subscribe today to our mailing list for the latest product news!**

**FR: Inscrivez-vous à notre liste de distribution si vous souhaitez suivre l'actualité de nos produits!**

**NL: Abonneer je vandaag nog op onze mailinglijst en ontvang ons laatste product nieuws!**

**DE: Abonnieren Sie unseren Newsletter und erhalten Sie aktuelle Produktinformationen!**

**ES: Suscríbete hoy a nuestra lista de correo para recibir las últimas noticias!**

**PT: Inscreva-se hoje na nossa mailing list para estar a par das últimas notícias!**

**[WWW.BRITEQ-LIGHTING.COM](http://WWW.BRITEQ-LIGHTING.COM)**

**Copyright © 2018 by BEGLEC NV**

't Hofveld 2C ~ B1702 Groot-Bijgaarden ~ Belgium

Reproduction or publication of the content in any manner, without express permission of the publisher, is prohibited.